

FCI CONFIDENTIAL



This document is the property of and embodies CONFIDENTIAL and PROPRIETARY information of FCI. No part of the information shown on this document may be used in any way or disclosed to others without the written consent of FCI. Copyright FCI.

1 | 2 | 3 | 4 | 5 | 6

PRODUCT NO.	DIM"X"		
95548-****	4.25±0.1	3.5±0.1	5.0±0.1
	OTHERS	36,67	1,17,34 35,51,68

95548-□□□□

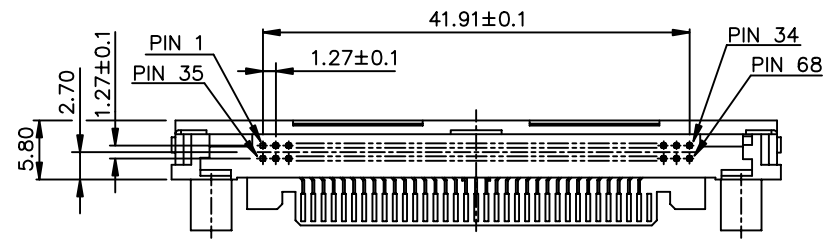
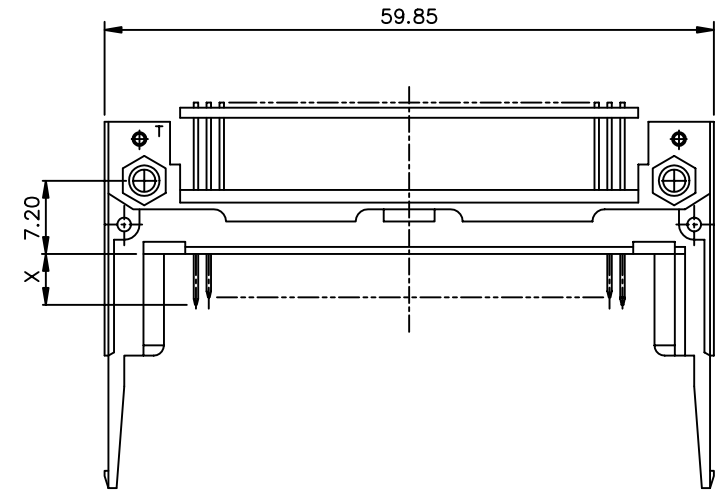
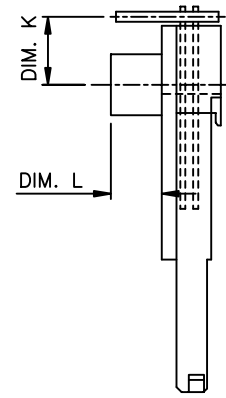
HOLD DOWN : H

STAND-OFF

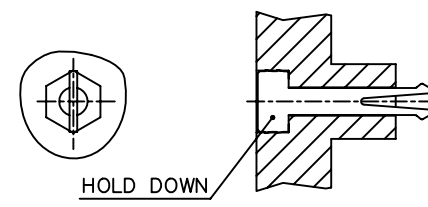
00	: 0.0 mm
20	: 2.0 mm
22	: 2.2 mm
30	: 3.0 mm
40	: 4.0 mm
43	: 4.3 mm
50	: 5.0 mm

UPPER DECK : 5  
LOWER DECK : 0  
LOWER DECK : 1  
(FOR HOLLAND)  
LOWER DECK : 2  
(FOR KOREA)

TOP MOUNT : 0  
BOTTOM MOUNT : 5



NOTE:  
1. ADD "H" TO PART NUMBER FOR OPTIONAL HOLD DOWN (2 PER ASSEMBLY).



95548-0000	0	-0.3
95548-0050H	5	-0.3
95548-0222	2.2	2.15
95548-0150	5	-0.3
95548-0100	0	2.15
95548-0522	0	9.0
95548-0022	2.2	2.15
95548-0543	0	6.55
95548-0043	4.3	-0.3
95548-0550	0	6.55
95548-0050	5	-0.3
95548-0500	0	10.0
PRODUCT NO.	DIM.L	DIM.K±0.20

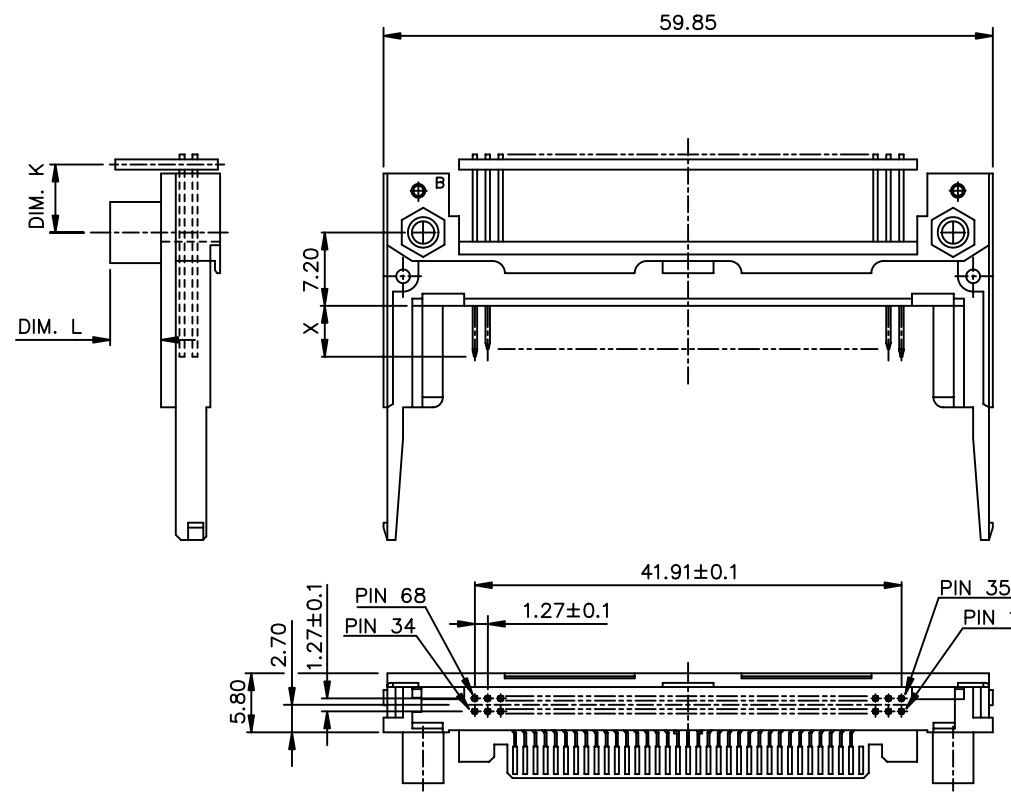
mat'l. code		surface		tolerance		projection		product family		
		ISO 1302		ISO 406 ISO 1101				PCMCIA		
ltr	ecn no	dr	date	tolerances unless otherwise specified				title		
J	T03-0464	W L	10/20/03	angles	linear	±0.3	MM		68 POS EJECTOR HEADER HSG	
K	N04-0092	W B	12/01/04						HEADER ASS'Y	
L	N06-0110	M Z	07/01'06	±2'			scale 2:1			
M	N08-0099	M Z	05/20'08	dr	Mike Zhou	07/01'06			dwg no	
				enr	Mike Zhou	07/01'06			sheet	1 of 4
				chr	Qin David	07/01'06			size	A4
				appd	Jack Wang	07/01'06			type	
sheet	revision	M	M	M	M					
index	sheet	1	2	3	4					

FCI CONFIDENTIAL



This document is the property of and embodies CONFIDENTIAL and PROPRIETARY information of FCI. No part of the information shown on this document may be used in any way or disclosed to others without the written consent of FCI.  
Copyright FCI

PRODUCT NO.	DIM "X"		
95548-****	4.25±0.1	3.5±0.1	5.0±0.1
	OTHERS	36,67	1,17,34 35,51,68



95548-□□□	STAND-OFF	00 : 0.0 mm
		20 : 2.0 mm
		22 : 2.2 mm
		30 : 3.0 mm
		40 : 4.0 mm
		43 : 4.3 mm
		50 : 5.0 mm
	UPPER DECK	: 5
	LOWER DECK	: 0
	TOP MOUNT	: 0
	BOTTOM MOUNT	: 5

95548-5150	5	2.15
95548-5522	0	9.0
95548-5022	2.2	2.15
95548-5543	0	6.55
95548-5043	4.3	-0.3
95548-5550	0	6.55
95548-5050	5	-0.3
95548-5500	0	10.0
PRODUCT NO.	DIM.L	DIM.K±0.20

mat'l. code		surface	tolerance	projection	product family
		ISO 1302	ISO 406 ISO 1101		PCMCIA
ltr	ecm no	dr	date	tolerances unless otherwise specified	
M				angles	linear
				±2'	±0.3
					scale
		dr	Mike Zhou	07/01'06	
		enr	Mike Zhou	07/01'06	
		chr	Qin David	07/01'06	
		appd	Jack Wang	07/01'06	
sheet index		revision sheet			title 68 POS EJECTOR HEADER HSG HEADER ASS'Y dwg no 95548 type CUSTOMER Drawing
					sheet 2 of 4 size A4

FCI CONFIDENTIAL

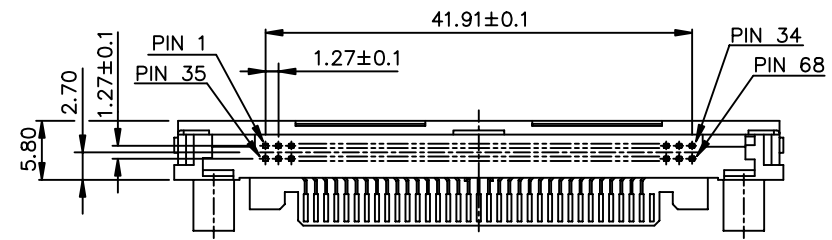
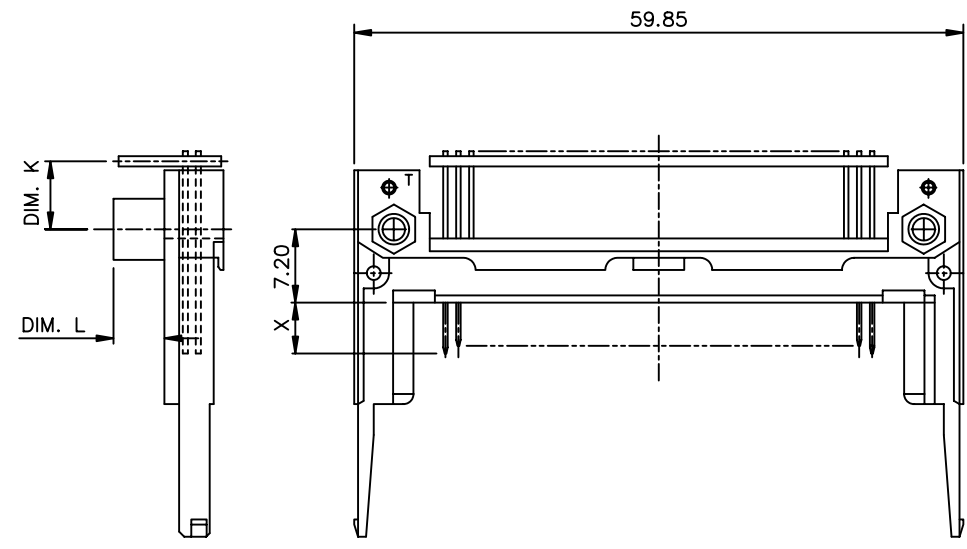


This document is the property of and embodies CONFIDENTIAL and PROPRIETARY information of FCI. No part of the information shown on this document may be used in any way or disclosed to others without the written consent of FCI. Copyright FCI.

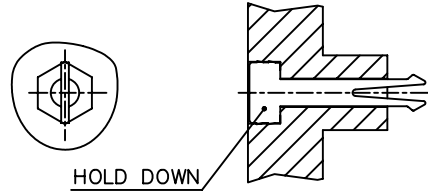
1 | 2 | 3 | 4 | 5 | 6

PRODUCT NO.	DIM "X"		
95548-****LF	4.25±0.1	3.5±0.1	5.0±0.1
	OTHERS	36,67	1,17,34 35,51,68

- 95548-□□□□□
- LEAD-FREE OPTION : LF
  - HOLD DOWN : H
  - STAND-OFF
    - 00 : 0.0 mm
    - 20 : 2.0 mm
    - 22 : 2.2 mm
    - 30 : 3.0 mm
    - 40 : 4.0 mm
    - 43 : 4.3 mm
    - 50 : 5.0 mm
  - UPPER DECK : 5
  - LOWER DECK : 0
  - LOWER DECK : 1  
(FOR HOLLAND)
  - LOWER DECK : 2  
(FOR KOREA)
  - TOP MOUNT : 0
  - BOTTOM MOUNT : 5



NOTE:  
1. ADD "H" TO PART NUMBER FOR OPTIONAL HOLD DOWN (2 PER ASSEMBLY).



95548-0100MLF	0	2.15
95548-0000LF	0	-0.3
95548-0051LF	5	-0.3
95548-0050HLF	5	-0.3
95548-0222LF	2.2	2.15
95548-0150LF	5	-0.3
95548-0100LF	0	2.15
95548-0522LF	0	9.0
95548-0022LF	2.2	2.15
95548-0543LF	0	6.55
95548-0043LF	4.3	-0.3
95548-0550LF	0	6.55
95548-0050LF	5	-0.3
95548-0500LF	0	10.0

PRODUCT NO.	DIM.L	DIM.K±0.20
-------------	-------	------------

mat'l. code		surface	tolerance	projection	product family
		ISO 1302	ISO 406 ISO 1101		PCMCIA
ltr		tolerances unless otherwise specified			title
M		angles	linear	±0.3	68 POS EJECTOR HEADER HSG HEADER ASS'Y
		±2'		MM	dwg no
		dr	Mike Zhou	07/01'06	sheet 3 of 4 size
		enr	Mike Zhou	07/01'06	95548
		chr	Qin David	07/01'06	A4
		appd	Jack Wang	07/01'06	type CUSTOMER Drawing
sheet	revision				
index	sheet				

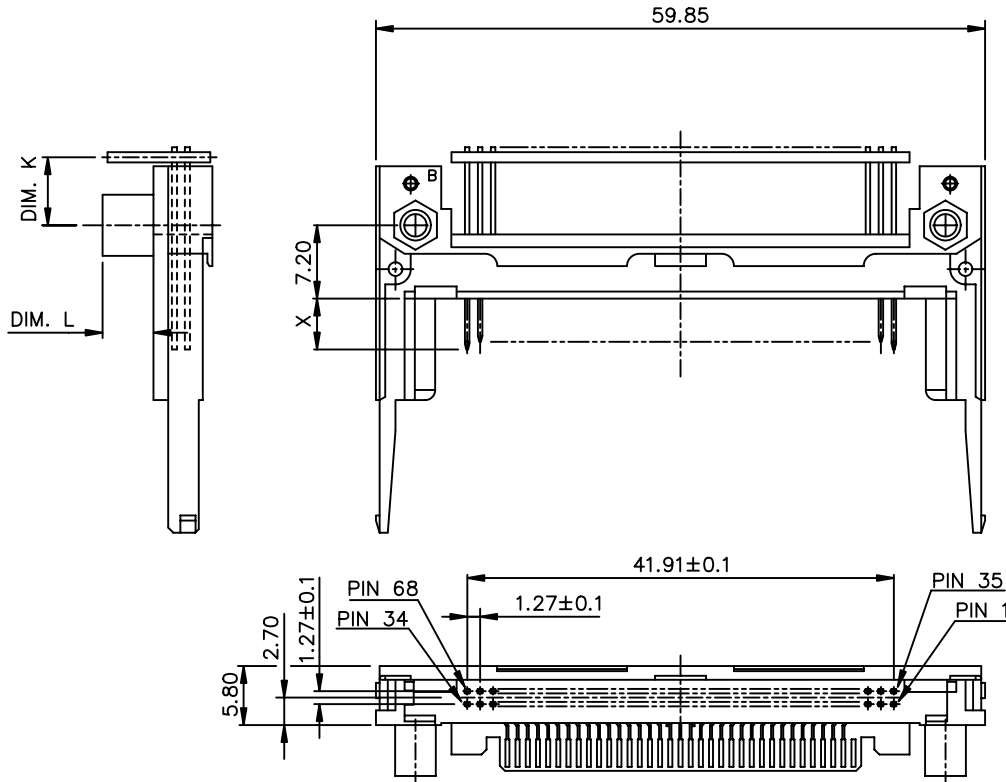
FCI CONFIDENTIAL



This document is the property of and embodies CONFIDENTIAL and PROPRIETARY information of FCI. No part of the information shown on this document may be used in any way or disclosed to others without the written consent of FCI. Copyright FCI.



PRODUCT NO.	DIM "X"		
95548-****LF	4.25±0.1	3.5±0.1	5.0±0.1
	OTHERS	36,67	1,17,34 35,51,68



Note:

- FINISH (PIN)  
 UNDER PLATING : 0.5 μm MIN. Ni  
 CONTACT AREA : 0.1 μm MIN. GOLD OVER  
 0.5 μm MIN. Pd-Ni

SOLDER TAIL:

- TIN LEAD PLATING: 2.5 μm MIN. Sn-Pb
- LEAD FREE PLATING: 2.5 μm MIN. PURE TIN

- IF LEAD FREE P/N. THE HOUSING WILL WITHSTAND EXPOSURE TO 260°C PEAK FOR 10 SECONDS IN A WAVE SOLDER APPLICATION WITH A 1.00MM MINIMUM THICK CIRCUIT BOARD
- IF LEAD FREE P/N. PACKAGING MEETS GS-14-920 SPECIFICATION

95548-□□□□

LEAD-FREE OPTION : LF

STAND-OFF

00	: 0.0 mm
20	: 2.0 mm
22	: 2.2 mm
30	: 3.0 mm
40	: 4.0 mm
43	: 4.3 mm
50	: 5.0 mm

UPPER DECK : 5  
 LOWER DECK : 0

TOP MOUNT : 0  
 BOTTOM MOUNT : 5

95548-5150LF	5	2.15
95548-5522LF	0	9.0
95548-5022LF	2.2	2.15
95548-5543LF	0	6.55
95548-5043LF	4.3	-0.3
95548-5550LF	0	6.55
95548-5050LF	5	-0.3
95548-5500LF	0	10.0
PRODUCT NO.	DIM.L	DIM.K±0.20

mat'l. code		surface	tolerance	projection	product family
		ISO 1302	ISO 406 ISO 1101		PCMCIA
ltr	ecn no	dr	date	tolerances unless otherwise specified	
M				angles	linear
				±2'	±0.3
					scale
		dr	Mike Zhou	07/01'06	
		enr	Mike Zhou	07/01'06	
		chr	Qin David	07/01'06	
		appd	Jack Wang	07/01'06	
sheet index		revision sheet			title 68 POS EJECTOR HEADER HSG HEADER ASS'Y dwg no 95548 type CUSTOMER sheet 4 of 4 size A4 Drawing